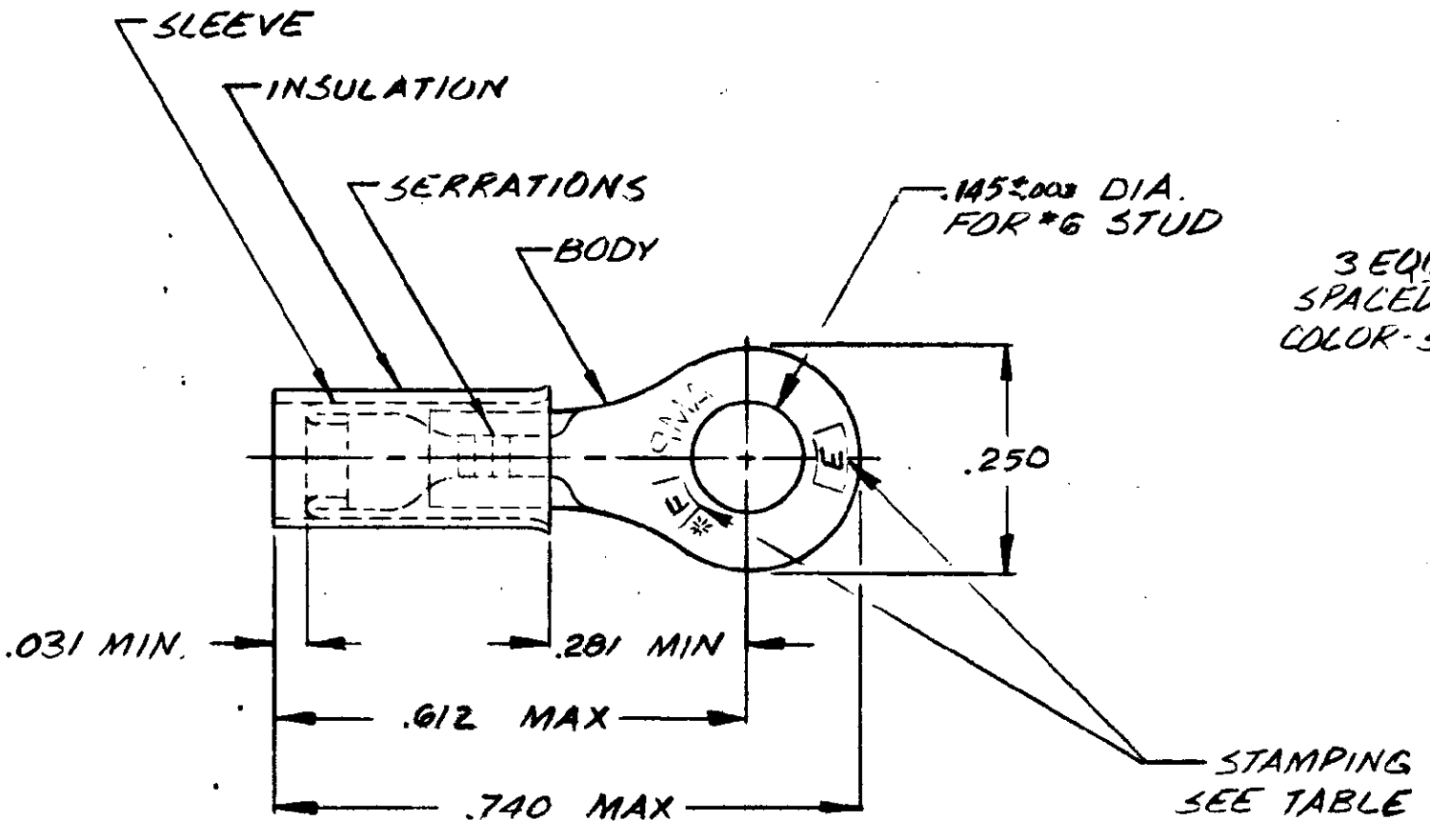
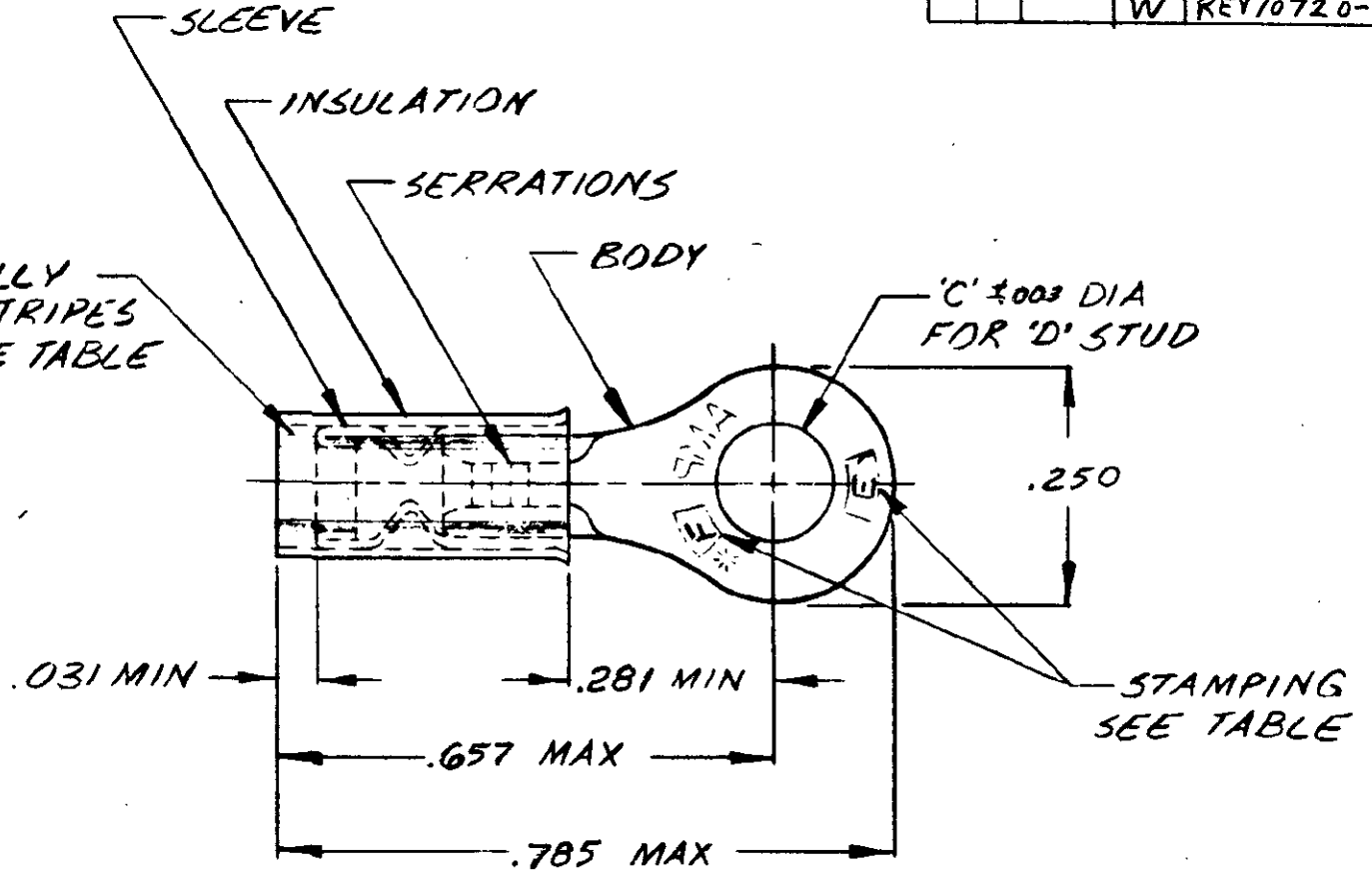


THIS DRAWING IS UNPUBLISHED. RELEASED FOR PUBLICATION, 19
 © COPYRIGHT 19 BY AMP INCORPORATED, HARRISBURG, PA. ALL INTERNATIONAL RIGHTS RESERVED. AMP PRODUCTS MAY BE COVERED BY U.S. AND FOREIGN PATENTS AND/OR PATENTS PENDING.

REVISIONS						
P	F	ZONE	LTR	DESCRIPTION	DATE	APPROVED
✓	✓		N	REVISED & REDRAWN PER G-1423 & P85-0297 & P85-0298 WAVE SIZE B	11/31/86	PJM
✓	✓		P	OBSOLETE 2-983-0/G-2393	2/24/85	ES
✓	✓		R	OBS. 2-6 & 2-7 & 2-8 G-2588 BT	10-12-87	Pnf
✓	✓		S	OBS. 2-3 REV. G-4481	4-27-88	TKS/GY
✓	✓		T	OBS. 2-2, 2-5 G-4550, G-4551	9/1/88	AG
✓	✓		U	REACT. 2-5 PER G-5054	5/10/89	DKS/GY
			V	REV/0720-0066-93	4-13-93	TO/ML
			W	REV/0720-0835-95		29MRR/ME/TM



STYLE A



STYLE B
INSULATION RESTRICTING

- 1. TONGUE MATERIAL THK - .018 ± .002
- 2. TIN PL MIL-T-10727
- 3. NICKEL PL QQ-N 290

PART NO	PACKAGE TYPE	QTY	STYLE	E	F	WIRE INS. DIA	STRIPE COLOR
8-326875-1	LOOSE PC, BOX	100	A			.050/.082	
8-326875-2	ON TAPE, SM BOX	1000	A			.050/.082	
2-326875-3	ON TAPE, LG BOX	1000	A			.050/.082	
2-326875-4	ON TAPE, REEL	5000	B			.031/.055	BLUE
2-326875-5	ON TAPE, REEL	5000	B			.031/.055	BLACK
2-326875-6	ON TAPE, REEL	5000	B			.031/.055	BLACK
2-326875-5	LOOSE PIECE	#	B			.031/.055	BLUE
2-326875-4	LOOSE PIECE	#	B			.031/.055	BLUE
2-326875-3	LOOSE PIECE		B			.031/.055	BLACK
2-326875-2	LOOSE PIECE		B			.031/.055	BLACK
2-326875-1	ON TAPE, REEL	4000	A			.050/.082	
326875	LOOSE PIECE	#	A			.050/.082	

OBS
OBS
OBS
OBS
OBS
OBS
OBS
OBS

WIRE SIZE	FINISH	MATERIAL	PART NO
26-22	△		8-326875-1
26-22	△		8-326875-2
26-22	△		2-326875-3
24	△		2-326875-4
26	△		2-326875-5
26	△		2-326875-6
24	△		2-326875-7
26	△		2-326875-8
24	△		2-326875-9
24	△		2-326875-10
26	△		2-326875-11
26	△		2-326875-12
26-22	△		2-326875-13
26-22	△		2-326875-14
26-22	△		2-326875-15
26-22	△		2-326875-16
26-22	△		2-326875-17
26-22	△		2-326875-18
26-22	△		2-326875-19
26-22	△		2-326875-20
26-22	△		2-326875-21
26-22	△		2-326875-22
26-22	△		2-326875-23
26-22	△		2-326875-24
26-22	△		2-326875-25
26-22	△		2-326875-26
26-22	△		2-326875-27
26-22	△		2-326875-28
26-22	△		2-326875-29
26-22	△		2-326875-30
26-22	△		2-326875-31
26-22	△		2-326875-32
26-22	△		2-326875-33
26-22	△		2-326875-34
26-22	△		2-326875-35
26-22	△		2-326875-36
26-22	△		2-326875-37
26-22	△		2-326875-38
26-22	△		2-326875-39
26-22	△		2-326875-40
26-22	△		2-326875-41
26-22	△		2-326875-42
26-22	△		2-326875-43
26-22	△		2-326875-44
26-22	△		2-326875-45
26-22	△		2-326875-46
26-22	△		2-326875-47
26-22	△		2-326875-48
26-22	△		2-326875-49
26-22	△		2-326875-50

UNLESS OTHERWISE SPECIFIED DIMENSIONS ARE IN INCHES. TOLERANCES ON: DECIMALS .003 ANGLES	CONTRACT NO	AMP AMP INCORPORATED Harrisburg, Pa. 17105
	DR P.6/Tag/1 RFB-UTA	
MATERIAL SEE TABLE	CHK P. Mutz/alan/11/3/86	NAME TERMINAL, PIDG, RING
	APPD Vilai Loan Tran 01/07/86	
FINISH SEE TABLE	DSGN APPD	SIZE C
	OTHER APPD	FSCM NO 00779
		DRAWING NO 326875
		SCALE NTS
		SHEET